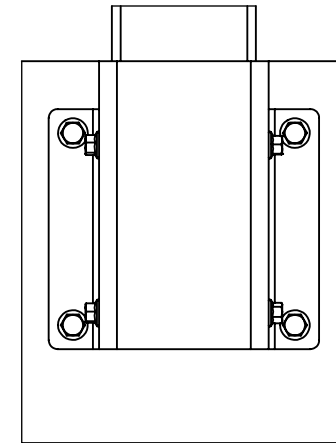
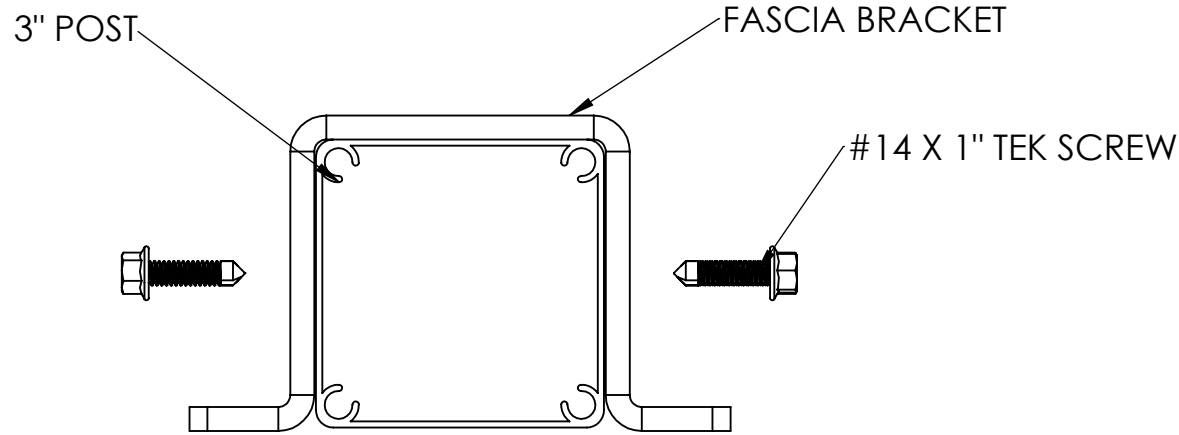
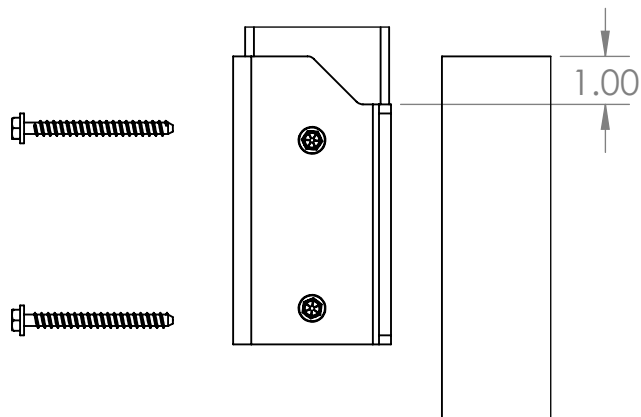


# INSTALLATION INSTRUCTIONS FASCIA MOUNT BRACKET



## **STEPS 1-3**

1. ALIGN BASE OF FASCIA BRACKET WITH BASE OF POST
2. ENSURE POST IS FULLY SEATED INTO BRACKET AS SHOWN ABOVE
3. USE #14 X 1" TEK SCREW TO FASTEN BRACKET TO POST



## **STEPS 4-9**

4. ALIGN BRACKET TO BE 1" TOP OF INSTALLATION SURFACE
5. WHILE ALIGNED, MARK HOLE LOCATION FOR TOP 2 HOLES
6. DRILL PILOT HOLES FOR TOP TO HOLES AS MARKED
7. INSTALL TOP TWO FASTENERS
8. DRILL PILOT HOLES FOR REMAINING FASTENERS
9. INSTALL BOTTOM 2 FASTENERS.

